

- Band17, RF-Tx SAW Filter
- Revision 1: March 2014

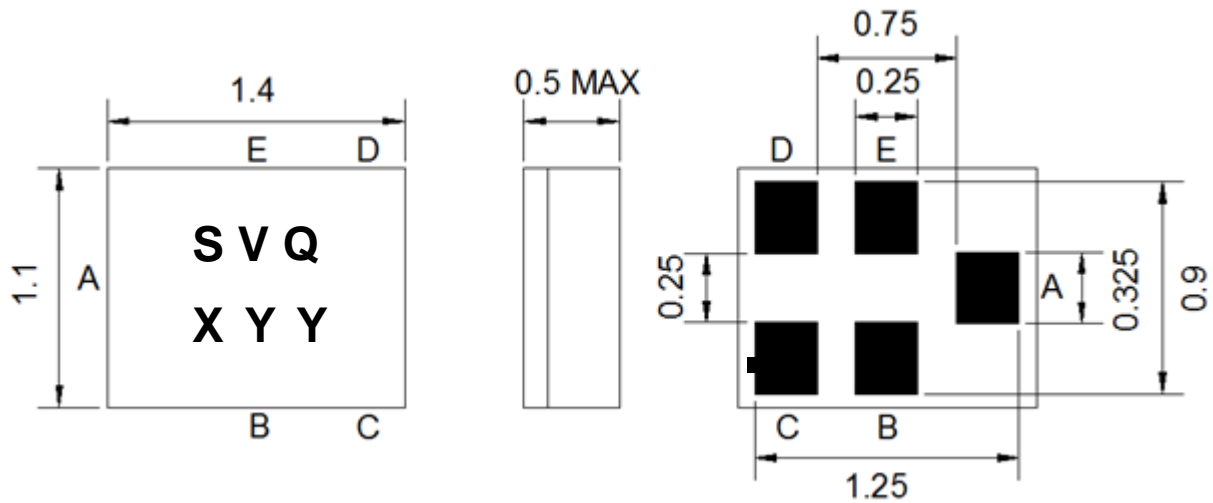
Electrical Characteristics

MAXIMUM RATING				
PARAMETERS DESCRIPTION	UNIT	MINIMUM	TYPICAL	MAXIMUM
Operating Temperature Range	°C	-30	-	+85
Storage Temperature Range	°C	-40	-	+85
Maximum DC Voltage	V	-	-	-
Maximum Input Power	dBm	-	-	15
Source Impedance (single ended) ⁽¹⁾	Ω	-	50	-
Load Impedance (single ended) ⁽¹⁾	Ω	-	50	-
Package type & size	C26			
Length x Width	mm ²	-	1.4 x 1.1	-
Height	mm	-	-	0.50

ELECTRICAL SPECIFICATION				
PARAMETERS DESCRIPTION	UNIT	MINIMUM	TYPICAL	MAXIMUM
Center Frequency (Fo)	MHz	-	710.0	-
Insertion Loss within 704.0 ~ 716.0 MHz	dB	-	1.2	2.0
Amplitude Ripple within 704.0 ~ 716.0 MHz	dB _{p-p}	-	0.5	1.1
VSWR within 704.0 ~ 716.0 MHz		-	1.5	2.0
Attenuation:				
DC ~ 674.0 MHz	dB	45	55	-
674.0 ~ 686.0 MHz	dB	28	33	-
734.0 ~ 746.0 MHz	dB	28	32	-
869.0 ~ 1800.0 MHz	dB	35	50	-
1800.0 ~ 3000.0 MHz	dB	25	40	-
3000.0 ~ 4000.0 MHz	dB	17	32	-
4000.0 ~ 5000.0 MHz	dB	13	23	-
5000.0 ~ 6000.0 MHz	dB	5	15	-

Notes: (1) No Matching Network

Package Dimensions



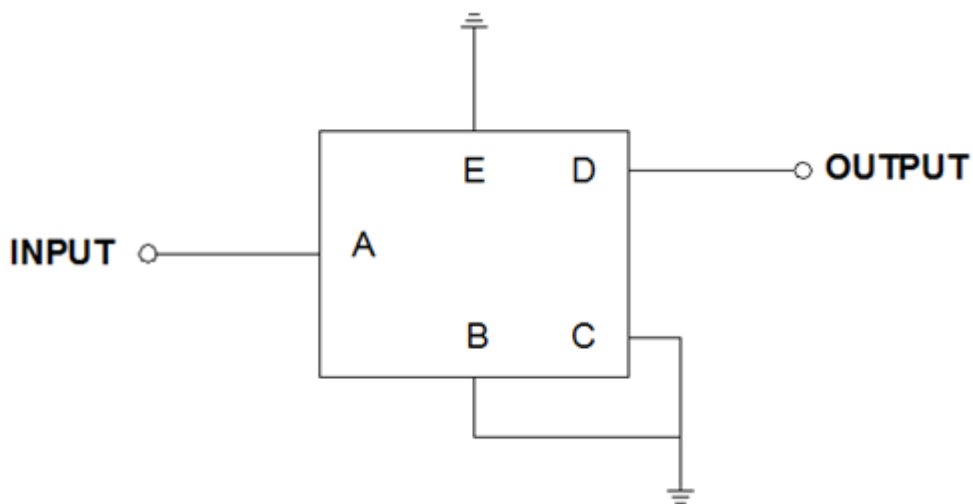
Marking Descriptions

Marking Descriptions	
S	SAW Filter
VQ	Series Number
X	Date Code (Year+Month)
YY	Lot

Pin Description

Pin Description	
B, C, E	Ground
A	Input
D	Output

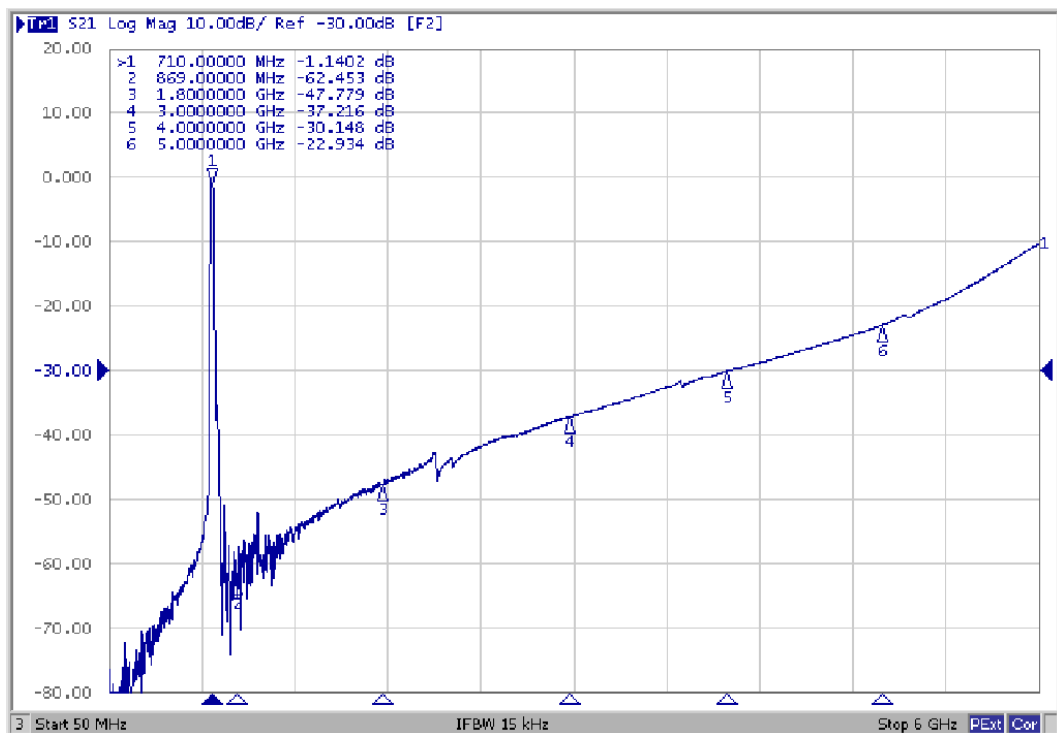
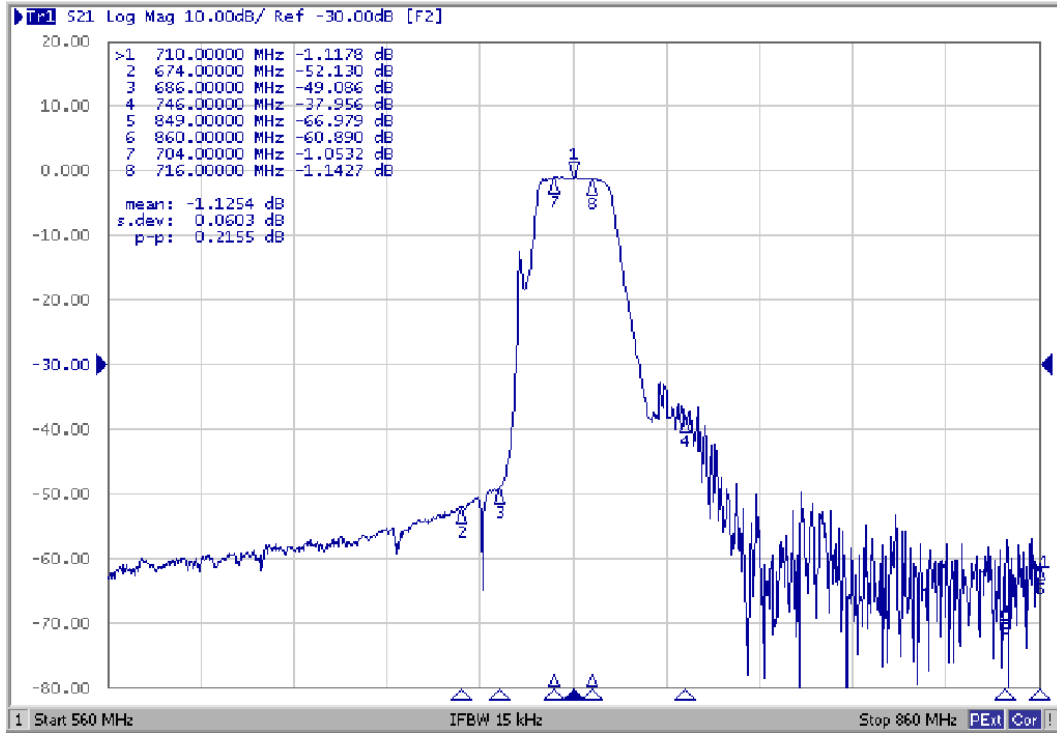
Testing Environment



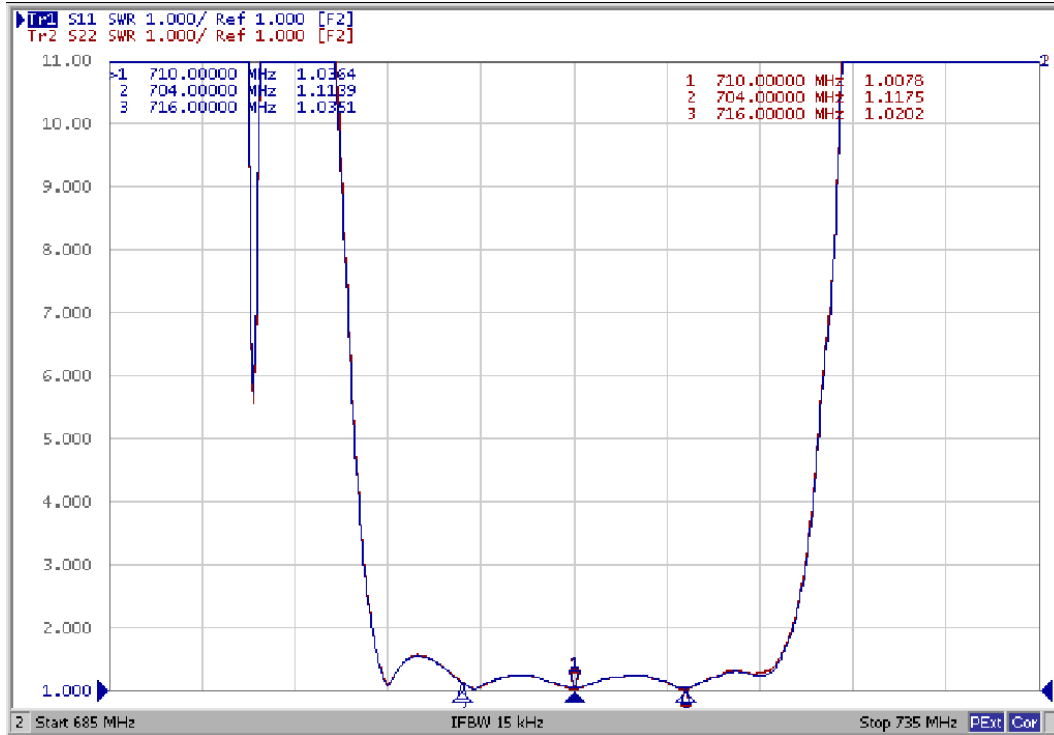
Source & Load Impedance: 50 Ω

Frequency Characteristics

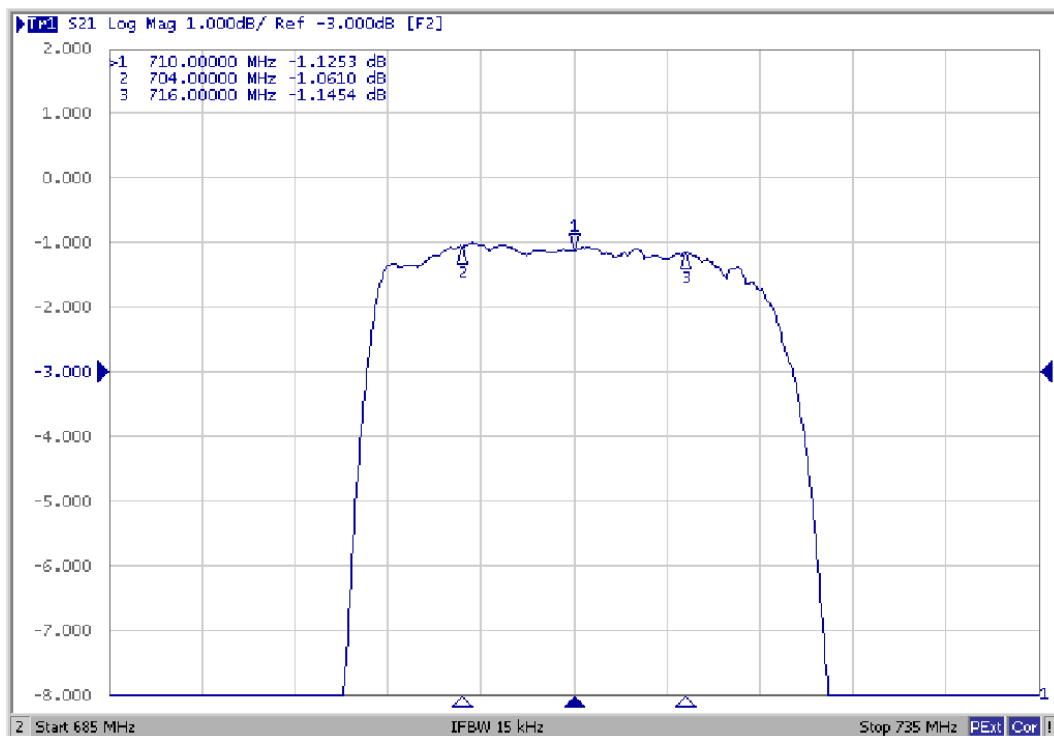
Frequency Response



VSWR



Ripple



Smith Chart

